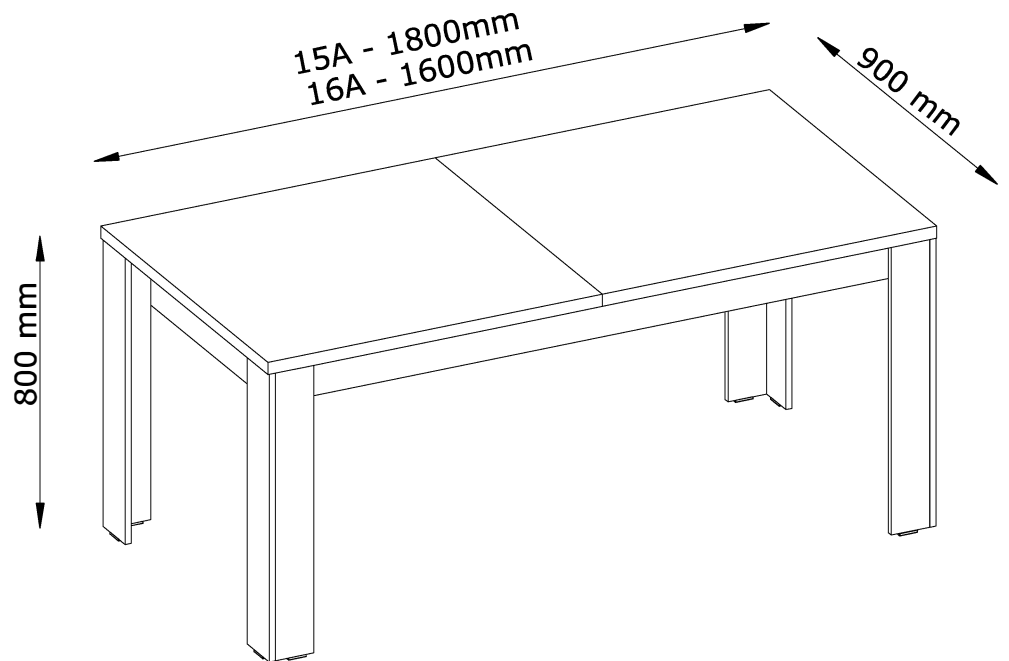
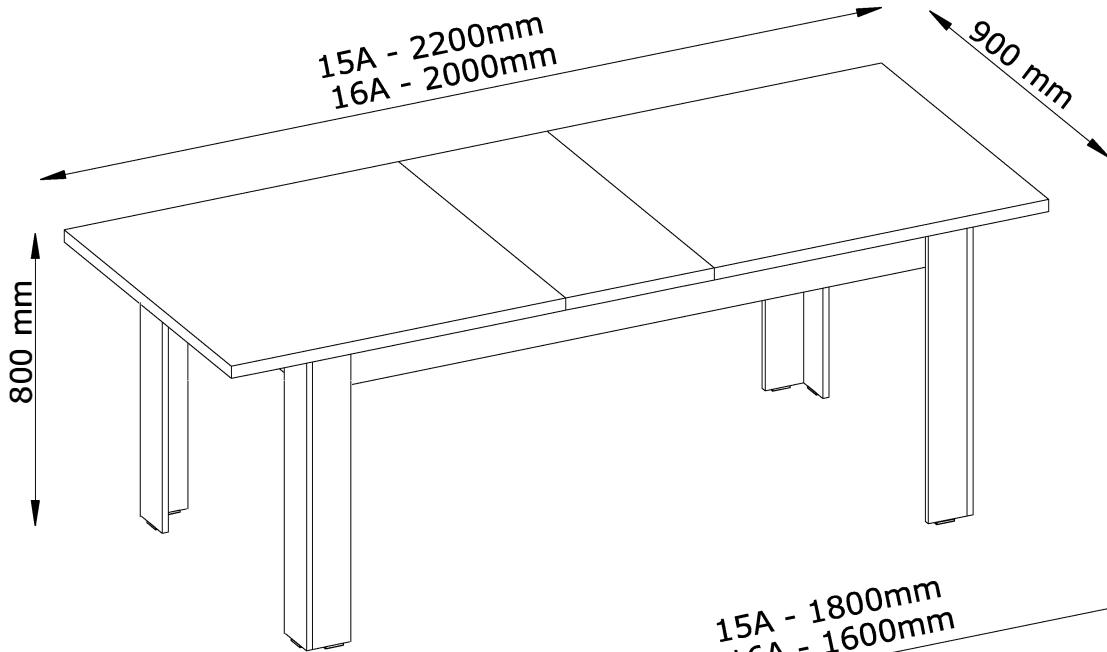
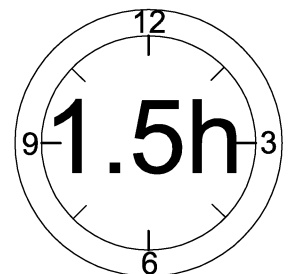
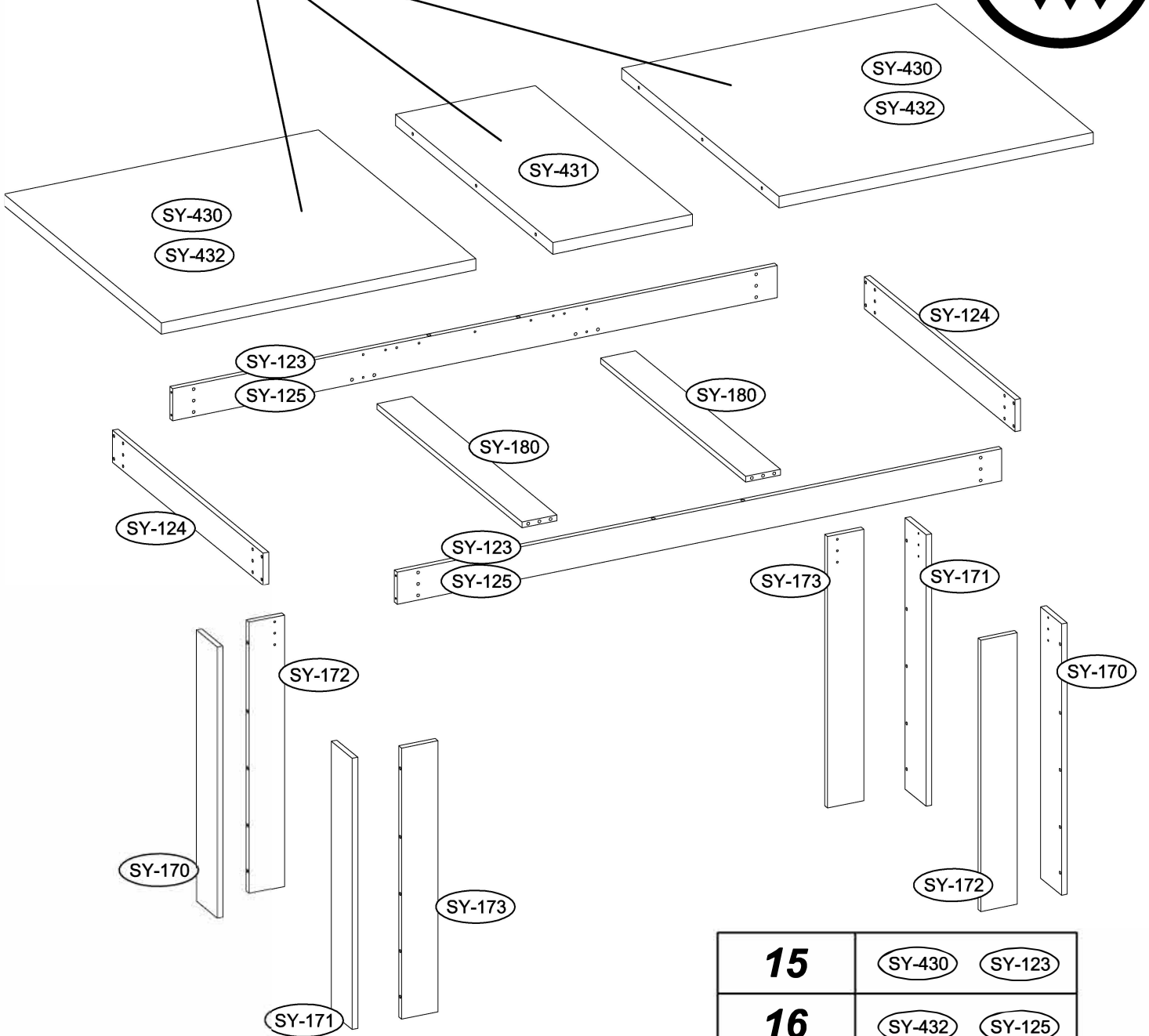


15A / 16A

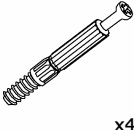


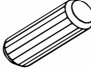

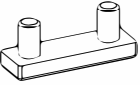


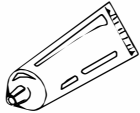
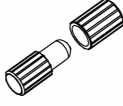





	<i>L</i>
15A	1800/2200 mm
16A	1600/2000 mm



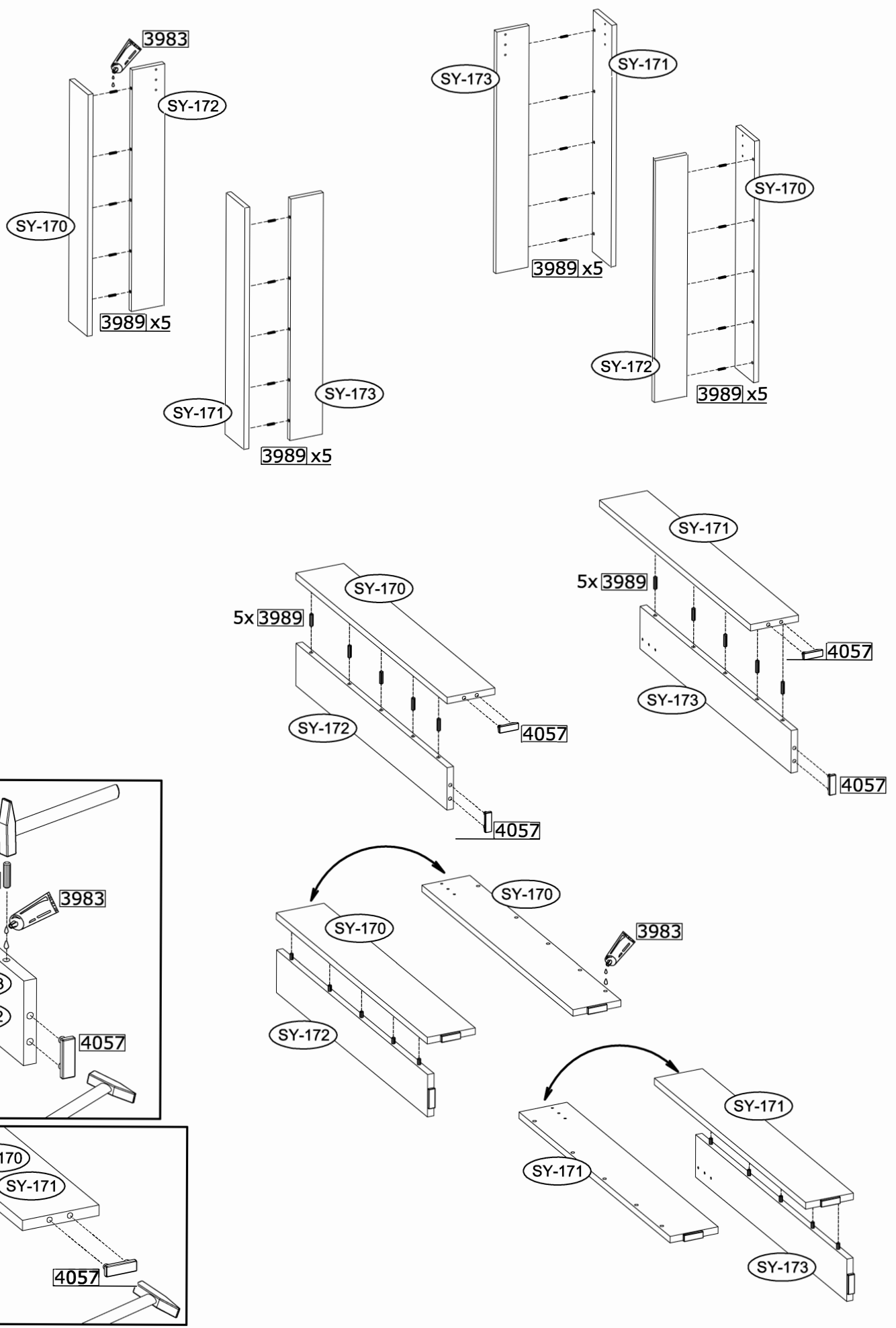


15	SY-430	SY-123
16	SY-432	SY-125

4066  x4	3996  x4	IN01073  x4	3989  Ø8x30mm x32	IN01617  Ø6.3x26mm x24	4057  x8
3918  Ø3,5x16mm x8	3884  Ø6,4 mm/50mm x8	3983  x3	IN01151  x6	37424  x1	3984  x1
3877  Ø6.0x13mm x34					

1

3989  x20	3983  x1	4057  x8		
---	--	--	--	--

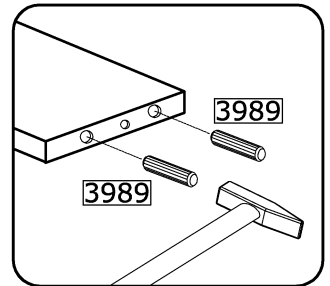
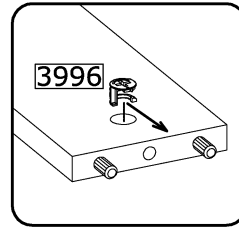
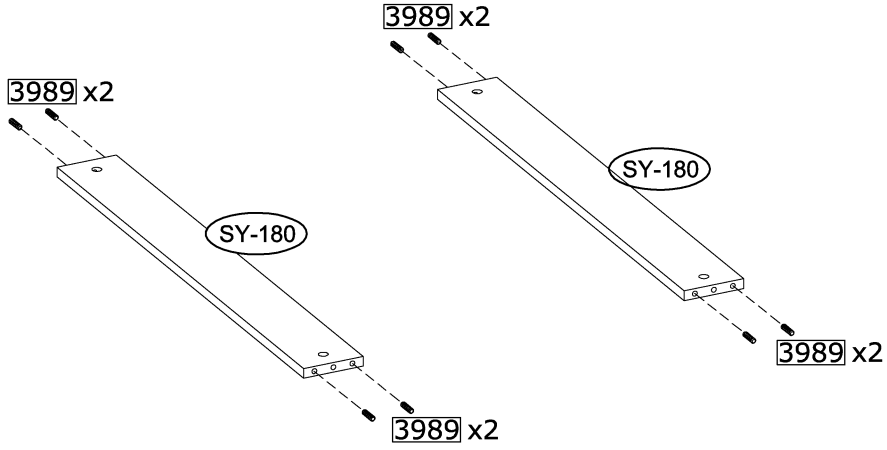
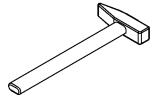


2

3989



x8

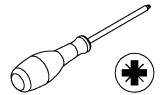


3

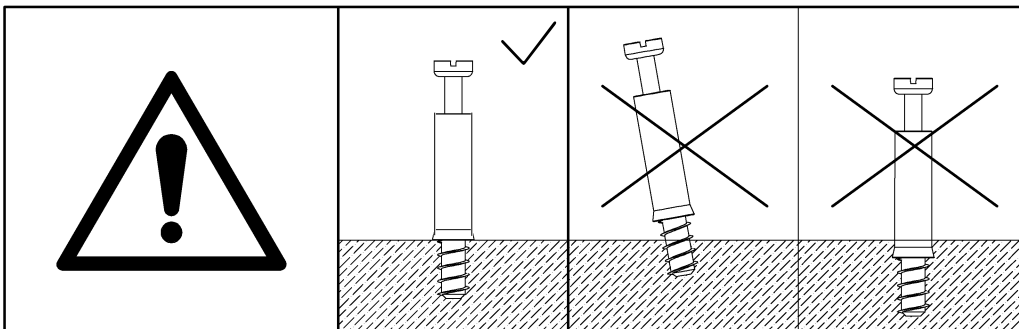
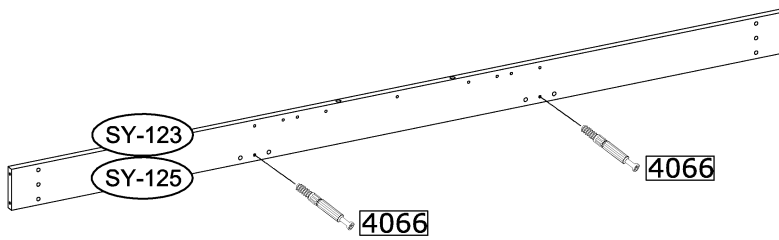
4066



x4



x2



4

37424

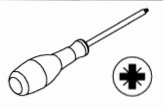


x2

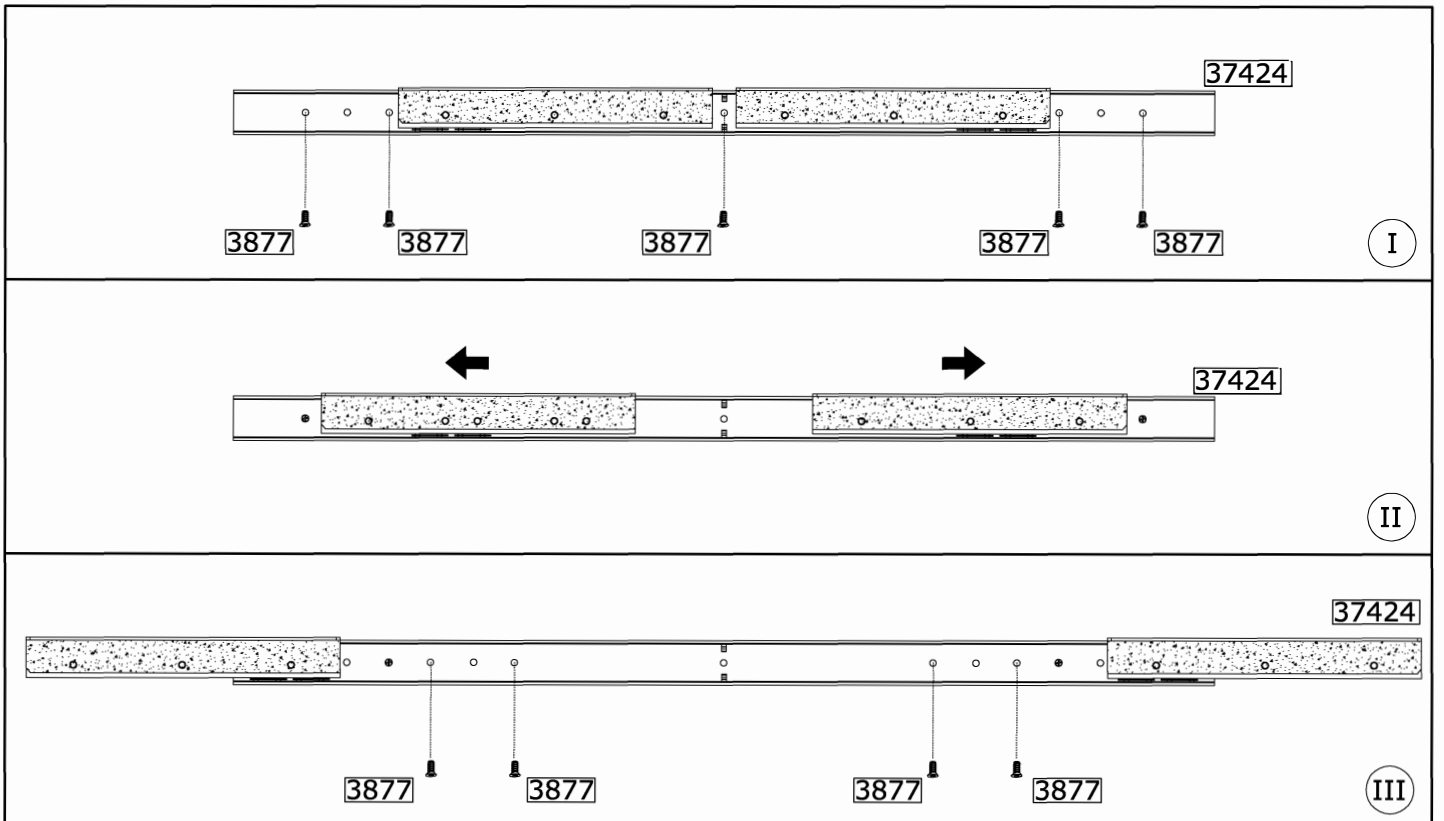
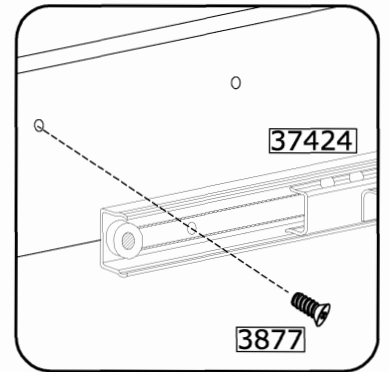
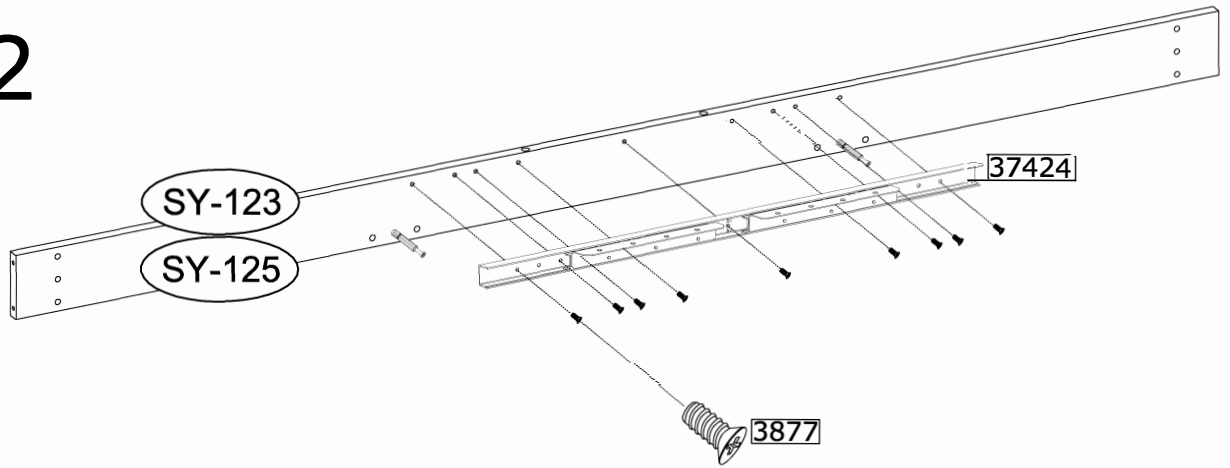
3877



x18



x2

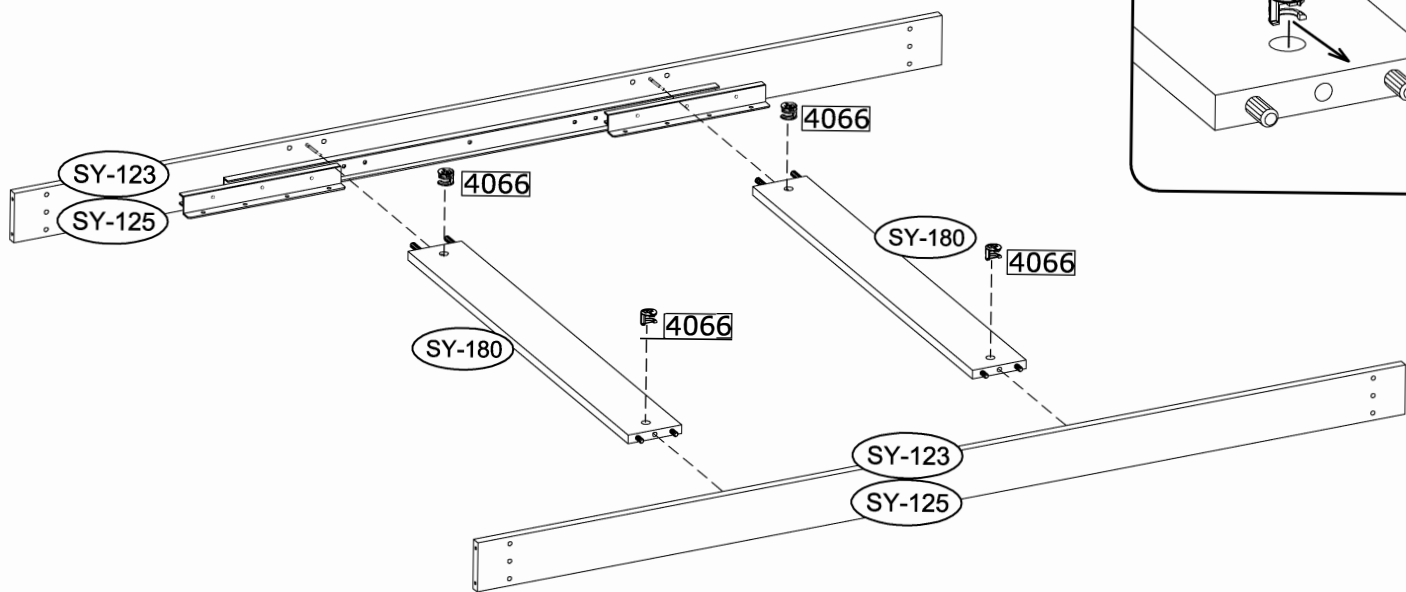
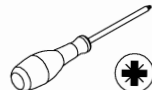


5

4066



x4



6

3884

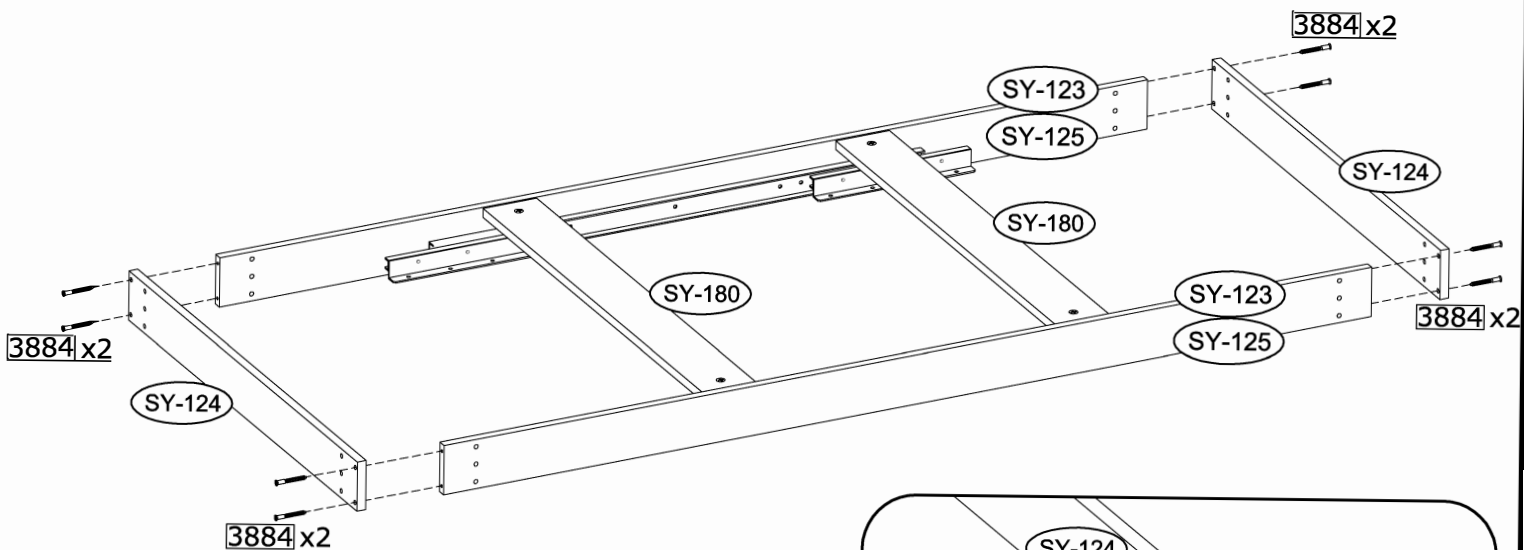


x8

3984

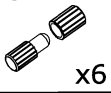


x1

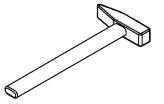


7

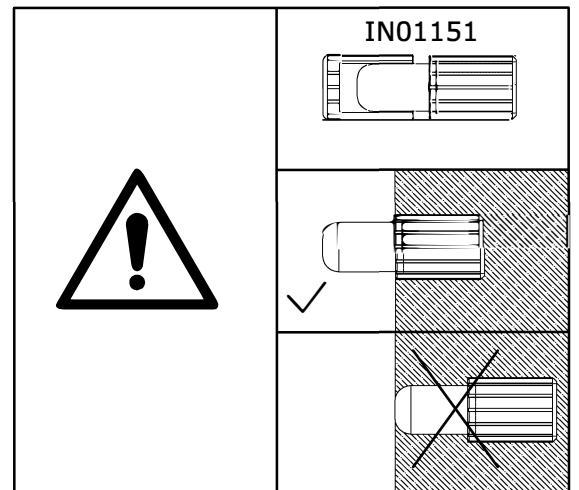
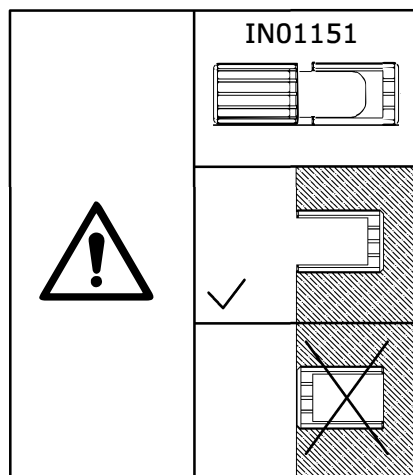
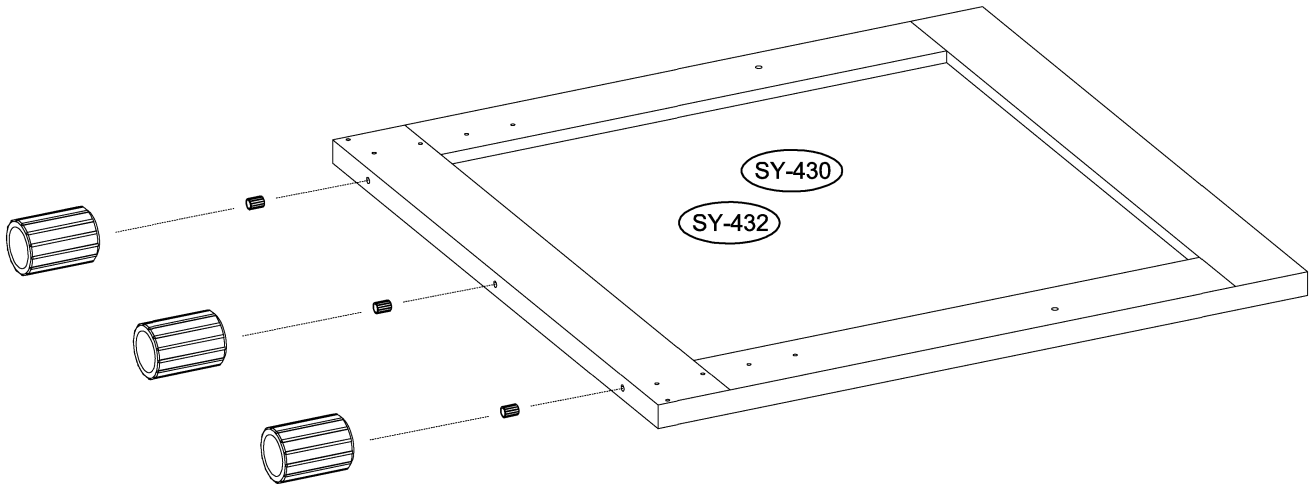
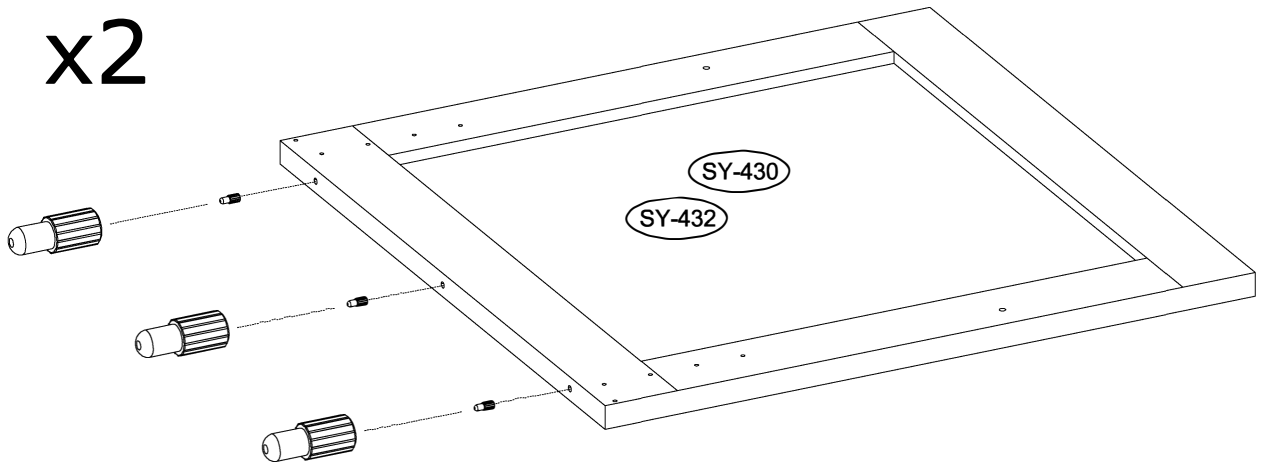
IN01151



x6



x2

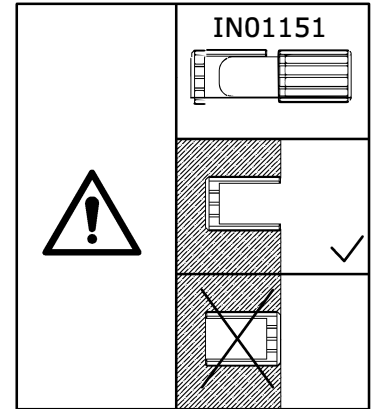
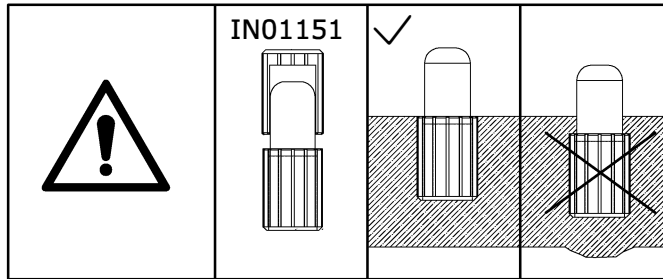
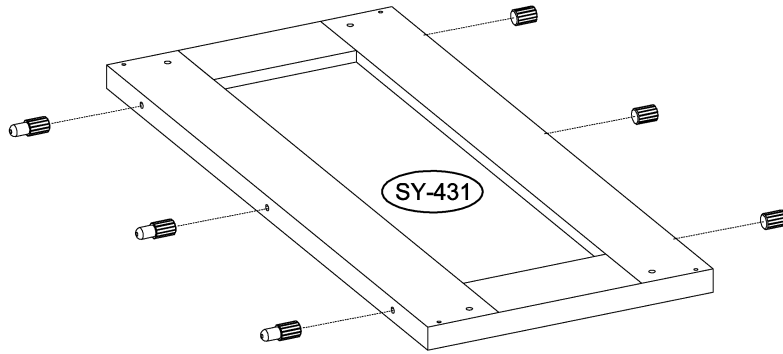
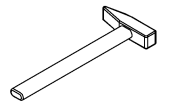


8

IN01151



x6



9

IN01073



x4

3989

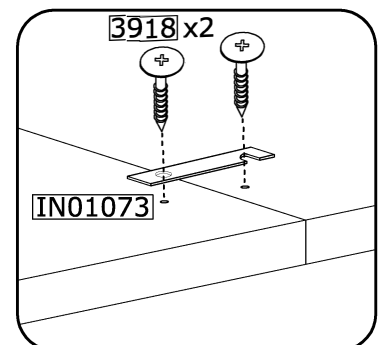
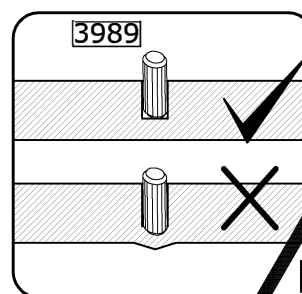
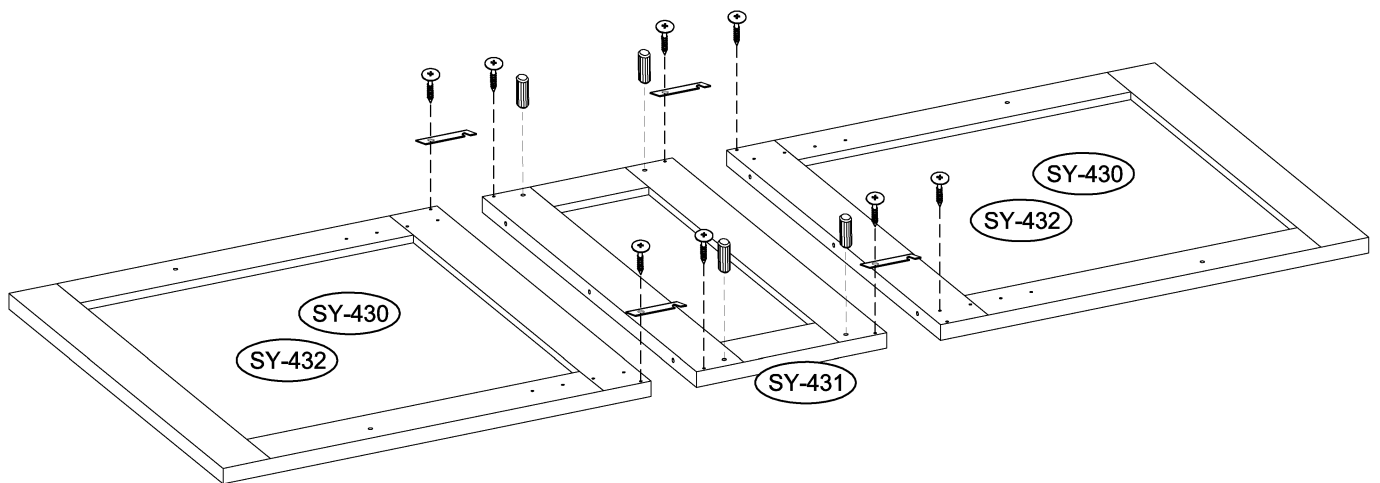
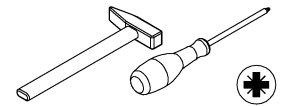


x4

3918

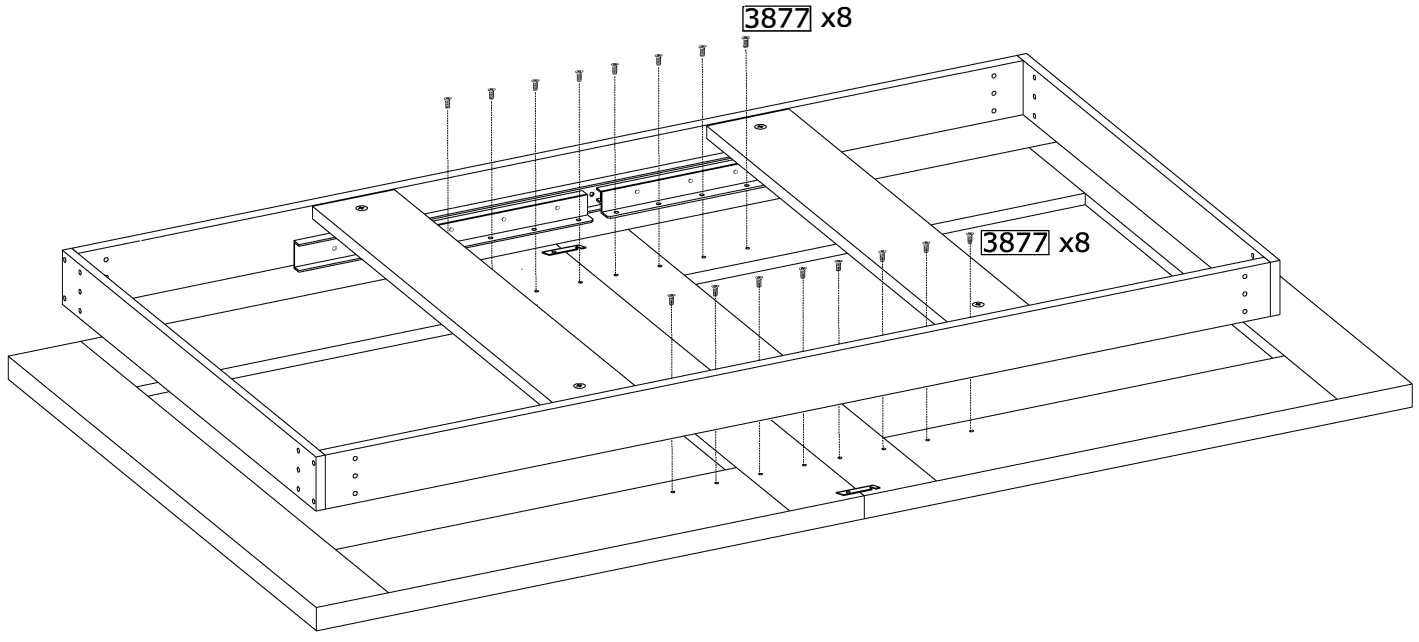
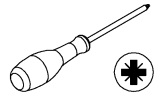


x8



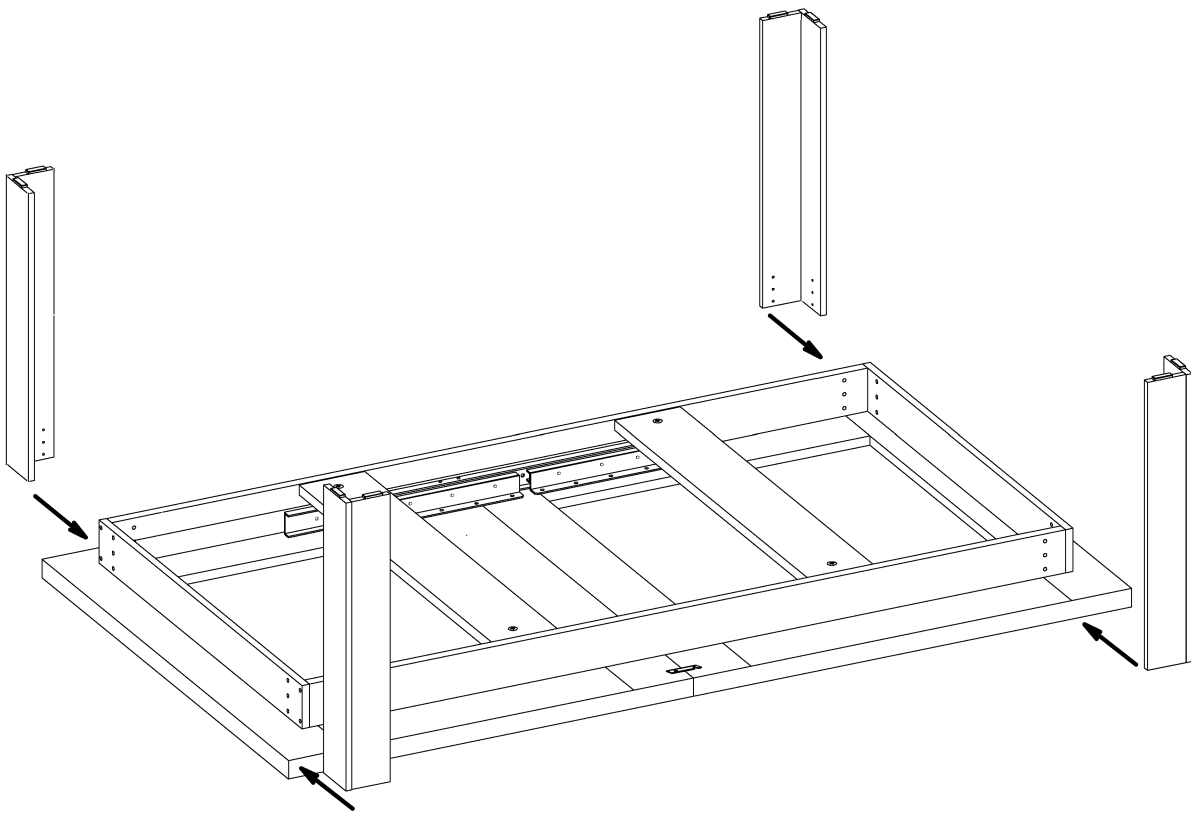
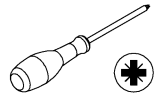
10

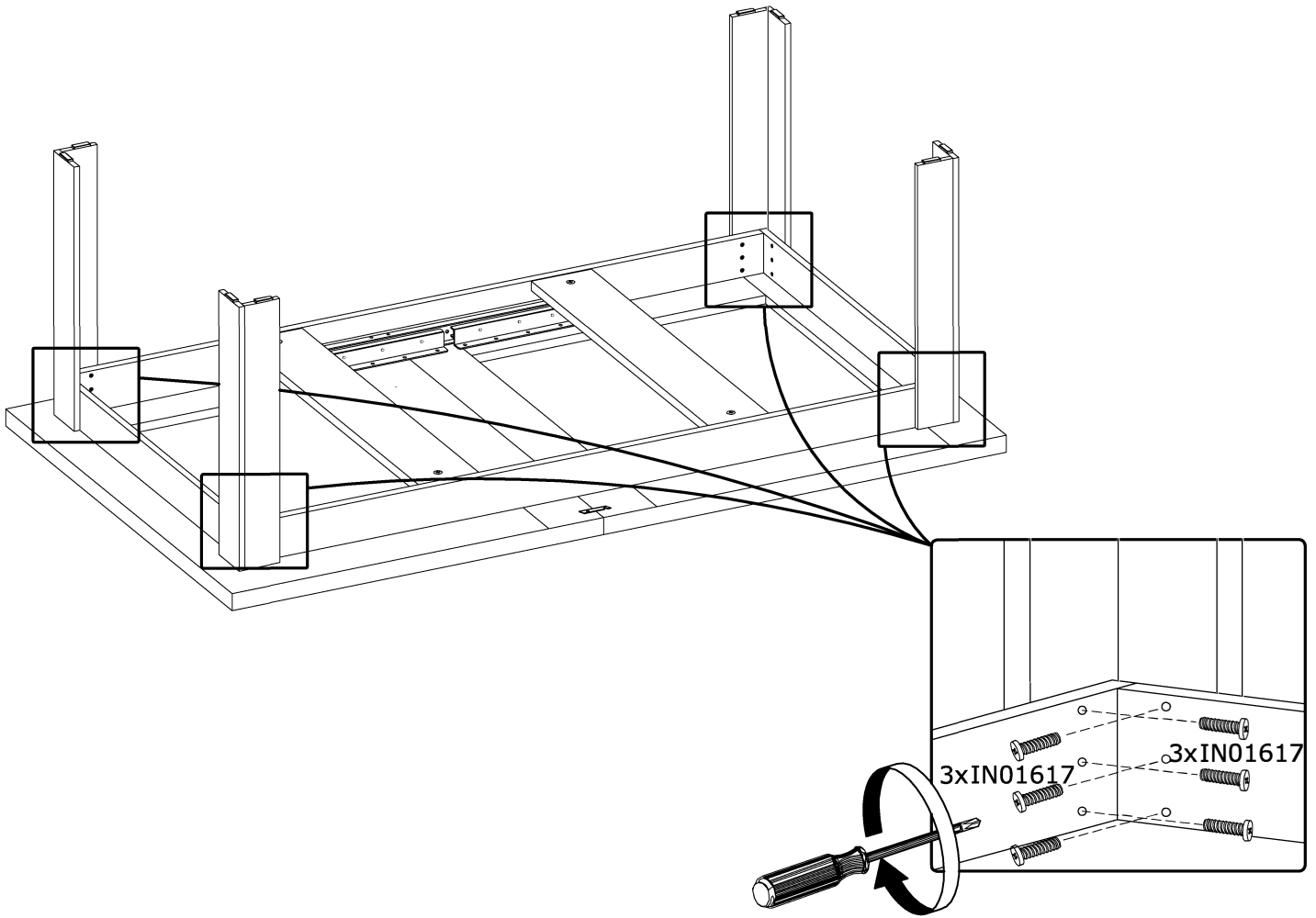
3877
x16



11

IN01617
x24





12

